

McCULLOCH®

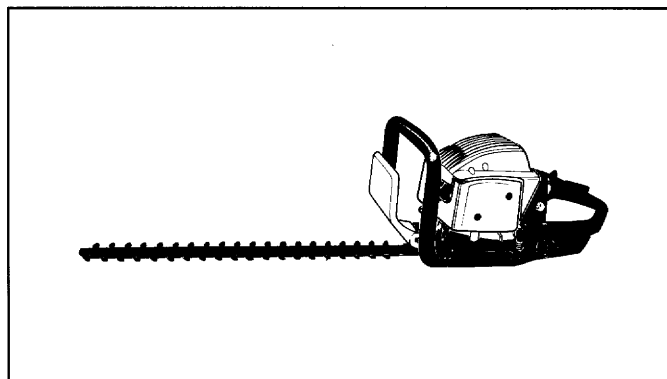
PARTNER

ILLUSTRATED PARTS LIST

VIRGINIA MH 542P
VIRGINIA MH 555P
PARTNER HG17 - HG22

SERIAL NUMBER PREFIX 01-02

CE



March 2000

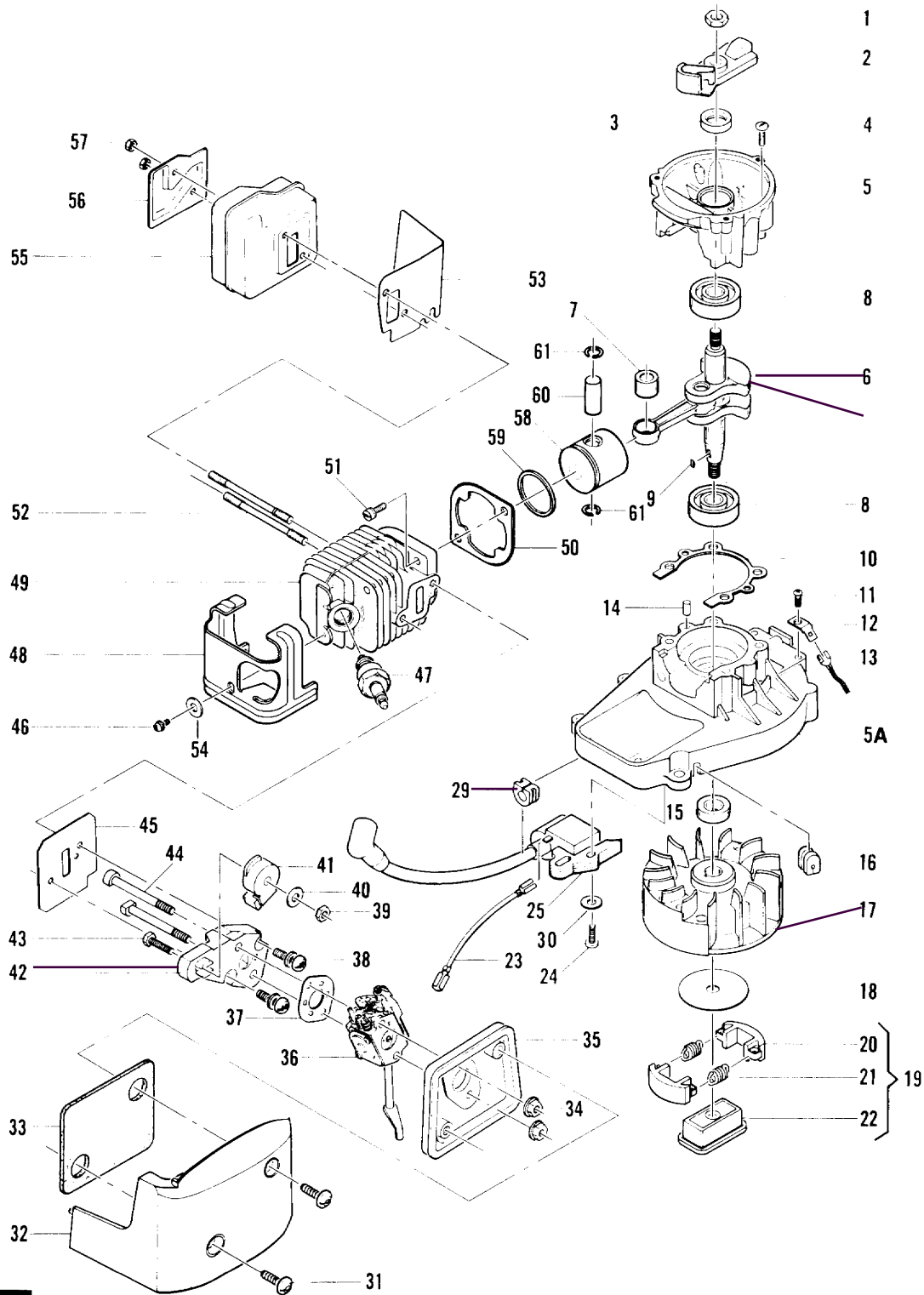


FIGURE 1

| | | | | | | | | | | | | | | |
|-----|------------------|---|------|------------------|---|------|----------------------|---|------|--------------|---|------|--------------|---|
| 1 | 241624 | 1 | 11 | 228956 M4x10 | 1 | 23 | 241630 | 1 | 38 | 235806 M5x20 | 2 | 51 | 236933 M6x18 | 2 |
| 2 | 241784 | 1 | 12 | 228139 | 1 | 24 | 235806 M5x20 | 2 | 39 | 235642 | 1 | 52 | 241804 | 2 |
| C 3 | 241596 | 1 | 13 | 241638 | 1 | C 25 | 241749 | 1 | 40 | 235163 | 1 | 53 | 323758 | 1 |
| 4 | 235804 M5x30 | 4 | 14 | 241597 | 2 | 29 | 236322 | 1 | 41 | 241644 | 1 | 54 | 235248 | 1 |
| 5 | 241748 | 1 | C 15 | 241596 | 1 | 30 | 235248 | 2 | C 42 | 241590 | 1 | C 55 | 301833-01 | 1 |
| 5A | 241720 | 1 | 16 | 241607 | 1 | 31 | 218644 | 2 | 43 | 240131 M5x20 | 1 | 56 | 322231 | 1 |
| 6 | 241627 Prefix 01 | 1 | 17 | 222372 Prefix 01 | 1 | 32 | 241652 gold/oro/gold | 1 | 44 | 111057 | 2 | 57 | 235642 | 2 |
| | 241806 Prefix 02 | 1 | 18 | 241796 Prefix 02 | 1 | B 33 | 241652 | 1 | B 45 | 241643 | 1 | C 58 | 301317-01 | 1 |
| C 7 | ● 323930 | 1 | 19 | 241604 | 1 | 34 | 111058 | 2 | 46 | 236381 M5x10 | 1 | B 59 | ● 241593 | 2 |
| 8 | 241594 | 2 | B 19 | 241792 | 1 | 35 | 241647 | 1 | A 47 | 92879 | 1 | 60 | ● 241591 | 1 |
| C 9 | 102164 Prefix 01 | 1 | 20 | ● 241790 | 2 | 36 | 241647 | 1 | 48 | 224165 | 1 | 61 | ● 241592 | 2 |
| C | 227631 Prefix 02 | 1 | A 21 | ● 241794 | 2 | C 36 | FIGURE 3 | | C 49 | 302000 | 1 | | | |
| 10 | 241595 | 1 | 22 | ● 241789 | 1 | A 37 | 241600 | 1 | B 50 | 241598 | 1 | | | |

A = high moving - alta rotazione - haute demande - große Nachfrage

B = medium moving - media rotazione - moyenne demande - mittelmäßige Nachfrage

C = slow moving - bassa rotazione - basse demande - wenige Nachfrage

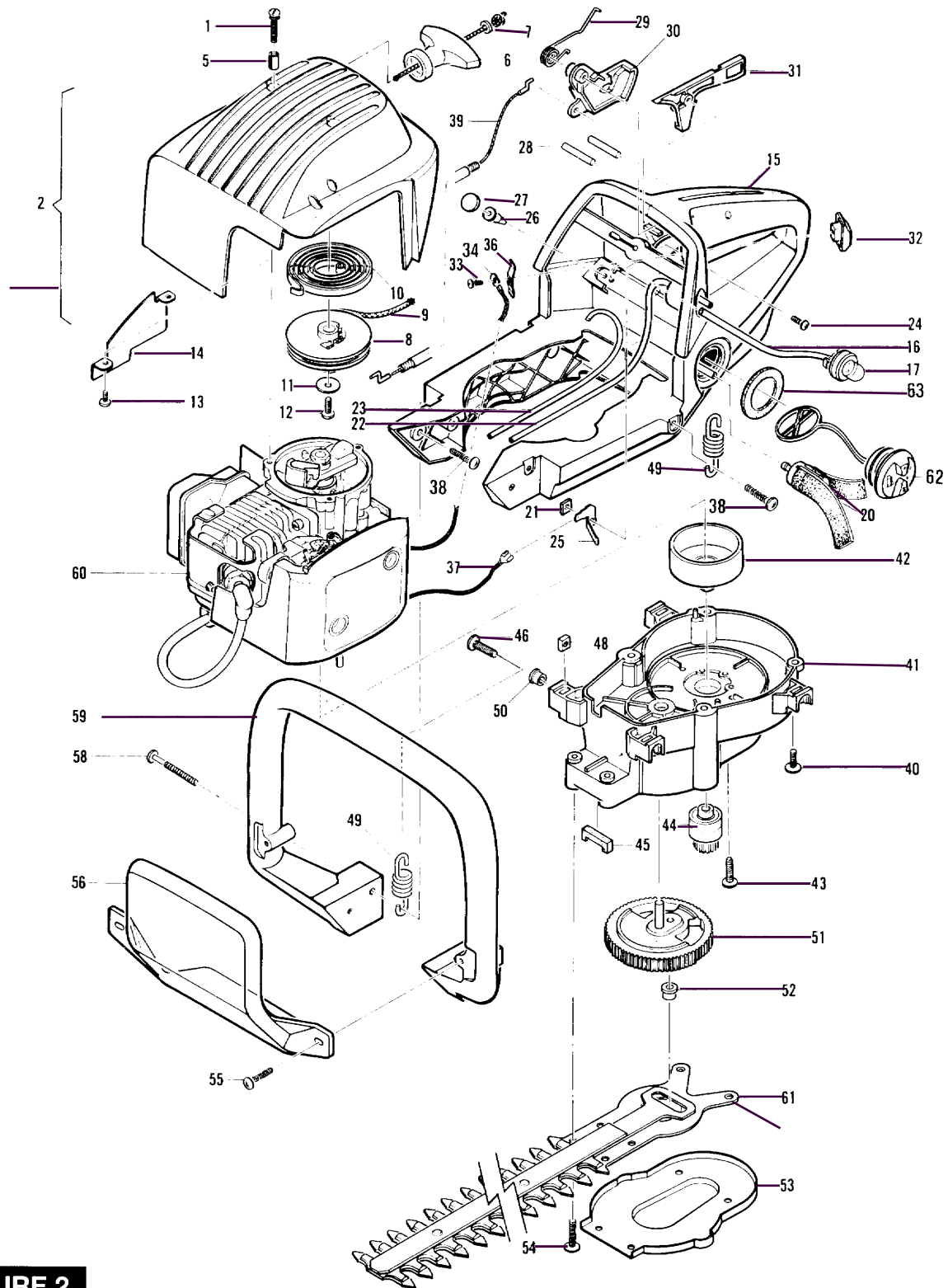


FIGURE 2

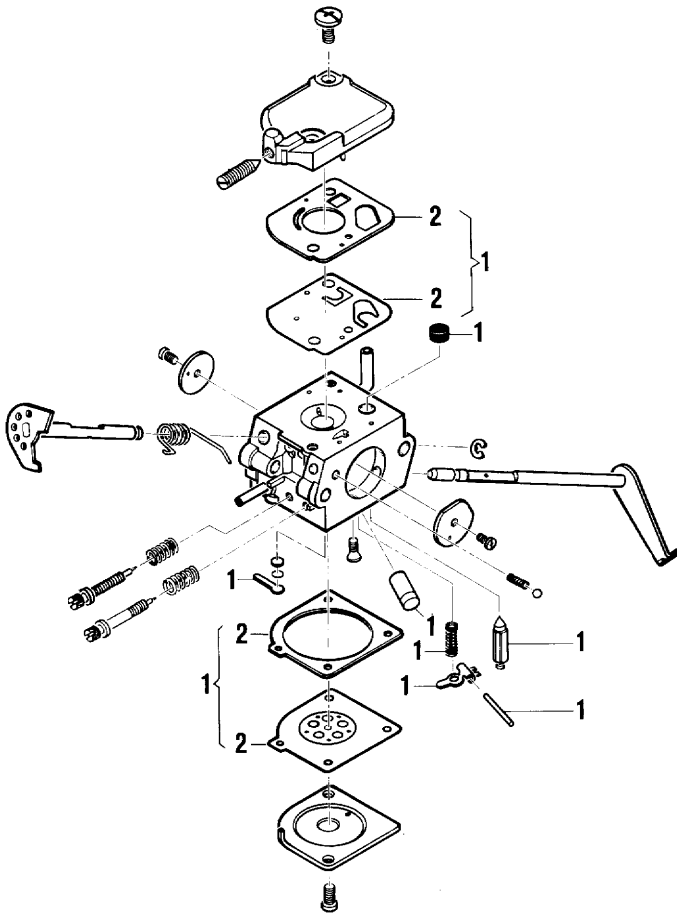
| | | | | | | | | | | | | | | |
|------|------------------------------|---|------|-------------|---|------|----------|---|------|-------------|---|------|--------------------|---|
| 1 | 228957 M4x25 | 3 | 14 | ● 241758 | 1 | 28 | ● 241762 | 2 | 41 | 241631 | 1 | 54 | 111117 | 6 |
| 2 | 241648 silber/gold/sure/gelb | 1 | C 15 | 241768 | 1 | 29 | ● 241637 | 1 | C 42 | ● 225006-02 | 1 | 55 | 111117 | 2 |
| | 241858 gold/cra/oro/gold | 1 | B 16 | ● 241777 | 1 | C 30 | ● 241635 | 1 | 43 | ● 218644 | 2 | 56 | 241654 | 1 |
| 5 | ● 241617 | 3 | C 17 | ● 224242-01 | 1 | C 31 | ● 241636 | 1 | 44 | ● 225007-01 | 1 | 58 | 219883 | 2 |
| 6 | ● 216792 | 1 | A 20 | ● 240452 | 1 | C 32 | ● 224245 | 1 | 45 | ● 241633 | 1 | 59 | 241641 | 1 |
| 7 | ● 235612 | 1 | 21 | ● 111126 | 1 | 33 | ● 111069 | 1 | 46 | ● 217936 | 4 | 60 | FIGURE 1 | |
| B 8 | ● 241620 | 1 | B 22 | ● 241776 | 1 | 34 | ● 241638 | 1 | 48 | ● 218005 | 4 | C 61 | 241655 MH542P-HG17 | 1 |
| A 9 | ● 241746 | 1 | B 23 | ● 241775 | 1 | 36 | ● 62451 | 1 | C 49 | ● 241634 | 1 | C | 241656 MH555P-HG22 | 1 |
| B 10 | ● 241619 | 1 | 24 | ● 111118 | 1 | 37 | 241630 | 1 | 50 | ● 322740 | 4 | B 62 | 301766 | 1 |
| 11 | ● 241703 | 1 | 25 | ● 322741 | 1 | 38 | 111117 | 2 | C 51 | 241653 | 1 | C 63 | ● 322742 | 1 |
| 12 | ● 300294 | 1 | C 26 | ● 322199 | 1 | C 39 | 241642 | 1 | B 52 | 225013 | 1 | | | |
| 13 | ● 111069 | 2 | C 27 | ● 241717 | 1 | 40 | 111119 | 4 | 53 | 225014 | 1 | | | |

A = high moving - alta rotazione - haute demande - große Nachfrage

B = medium moving - media rotazione - moyenne demande - mittelmäßige Nachfrage

C = slow moving - bassa rotazione - basse demande - wenige Nachfrage

ZAMA M32-B



| | | | |
|---|---|---------------|---------|
| C | - | 241646 | carbur. |
| B | 1 | ● 300465 | 1 |
| A | 2 | ●● 300473 | 1 |

FIGURE 3

A = high moving - alta rotazione - haute demande - große Nachfrage
 B = medium moving - media rotazione - moyenne demande - mittelmäßige Nachfrage
 C = slow moving - bassa rotazione - basse demande - wenige Nachfrage